

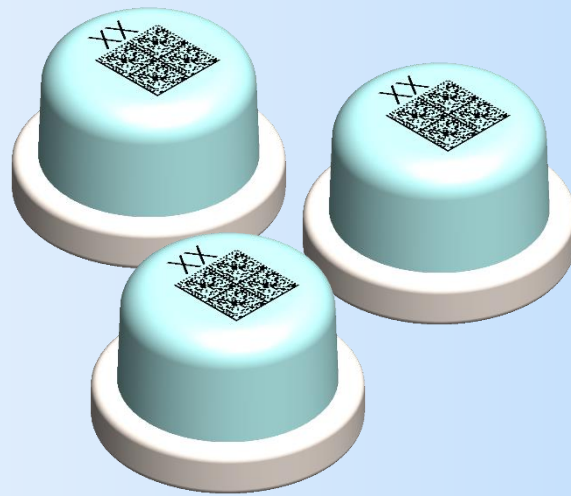
24/7 ASSET MONITORING SOLUTION ENERGY

TSA-EV11 SPECIFICATIONS

SENSeOR (head office)

Le Navigator - Bâtiment B
505, route des Lucioles
06560 Valbonne
Sophia-Antipolis
France

Contact address:
sales@senseor.com



Regional distributors

Visit www.senseor.com for
the latest distribution
locations.



ISO 9001:2015

BUREAU VERITAS
Certification



APPLICATION

This datasheet describes the specifications of the *TSA-EV11 surface temperature SAW sensor*. Configured to an **HTR02-2AWS** or **HTR02-6AWS(-PDD)** transceiver, this last generation of sensor is designed for the *SENSeOR* temperature and partial discharge monitoring system.

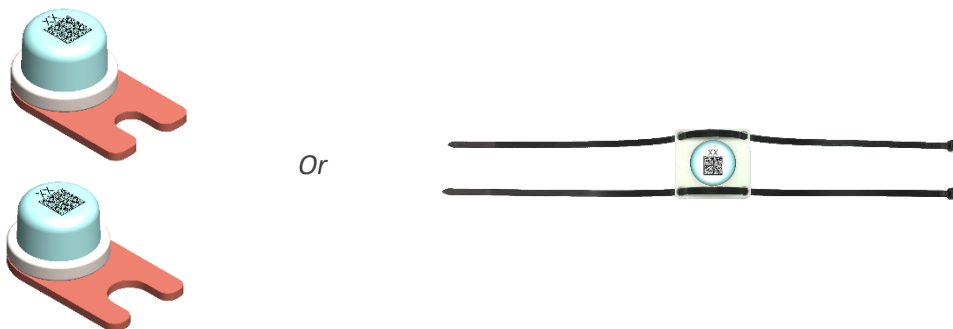
This sensor has been designed specifically to measure inside a switchgear cubicle and operation under high current and voltage.

This datasheet covers the following products:

- **TSA-EV11-01:** Sensor reference 1.
- **TSA-EV11-02:** Sensor reference 2.
- **TSA-EV11-03:** Sensor reference 3.
- **TSA-EV11-04:** Sensor reference 4.
- **TSA-EV11-05:** Sensor reference 5.
- **TSA-EV11-06:** Sensor reference 6.
- **TSA-EV11-07:** Sensor reference 7.
- **TSA-EV11-08:** Sensor reference 8.
- **TSA-EV11-09:** Sensor reference 9.
- **TSA-EV11-10:** Sensor reference 10.
- **TSA-EV11-11:** Sensor reference 11.
- **TSA-EV11-12:** Sensor reference 12.
- **TSA-EV11-13:** Sensor reference 13.
- **TSA-EV11-14:** Sensor reference 14.
- **TSA-EV11-15:** Sensor reference 15.

FIXATION MODES

The sensor can be mounted either with one screw (not included) on the surface of a metallic carrier (left configuration), either with two tie wraps inserted into a plastic ring (right configuration).



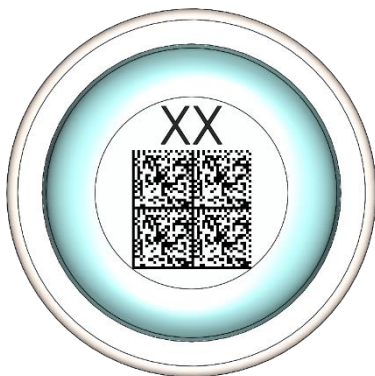
When mounted with a metallic carrier, sensors must be grabbed by the metallic base to avoid any damage on the silicone radome. Damaging this part of the sensor may result in significant performance losses for which SENSEOR will not be responsible.

SPECIFICATIONS

TSA-EV11 SENSOR

Product references	TSA-EV11-01 TSA-EV11-02 TSA-EV11-03 TSA-EV11-04 TSA-EV11-05	TSA-EV11-06 TSA-EV11-07 TSA-EV11-08 TSA-EV11-09 TSA-EV11-10	TSA-EV11-11 TSA-EV11-12 TSA-EV11-13 TSA-EV11-14 TSA-EV11-15
Measurement temperature range	From -25 to +150°C		
Accuracy	± 2°C from -25 to +125°C, ± 3°C from +125 to 150°C		
Operating frequency range	From 430 to 450 MHz (depending on sensor reference)		
Radiation pattern	Omnidirectional		
Polarization	Vertical		
Operating temperature range	From -30 to +160°C		
LV/MV/HV operation	With stand dielectric, short-circuit, lightning tests > 545 kV – no current limitation		
Ingress protection code	IP67 as per IEC 60529		
Dimensions	Ø 34 x 21 mm		
Weight	44 g		
Fixation modes	One screw (M5 x 4 mm –included) with a metallic carrier (copper, references <i>FORK-M14-TSA-EV</i> or <i>FORK-M10-TSA-EV</i>) Plastic ring (PTFE, reference <i>RING-TSA-EV</i>) with two tie wraps (extra H.T. cable tie up to +150°C, reference <i>TIE-WRAP</i> S)		
Certifications	RoHS 2011/65/EU and 2015/863/EU IEC 62271-1: Switchgear – lightning impulse voltage, power frequency voltage, partial discharge measurement tests IEC 60068-2-1, IEC 60068-2-2, IEC 60068-2-6, IEC 60068-2-30 IEC 60068-2-6, IEC 60068-2-78 IEC 60255-21-1, IEC 60255-21-3 CEPRI-EETC06-2019-0023 / CCAM19LP1860T6		

PRODUCT LABEL

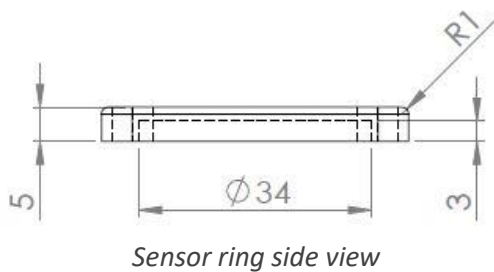
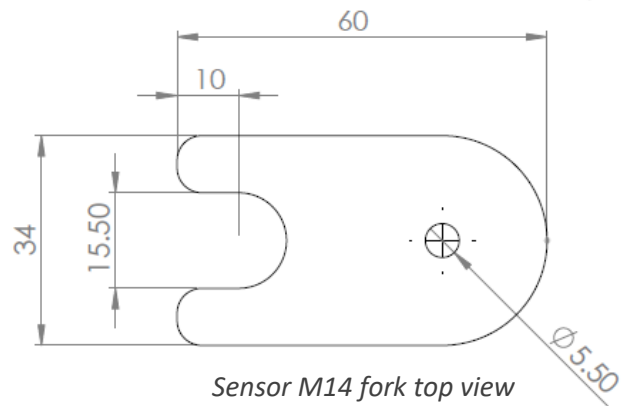
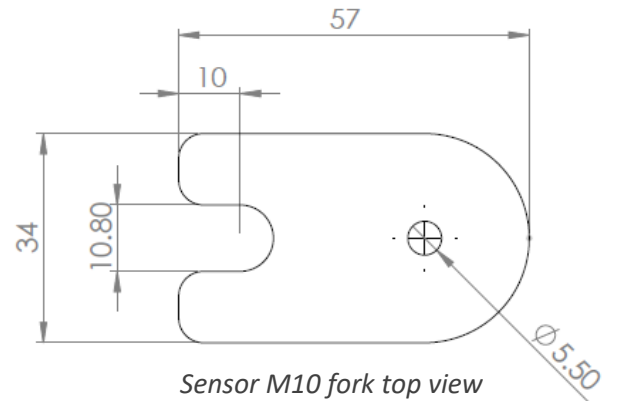
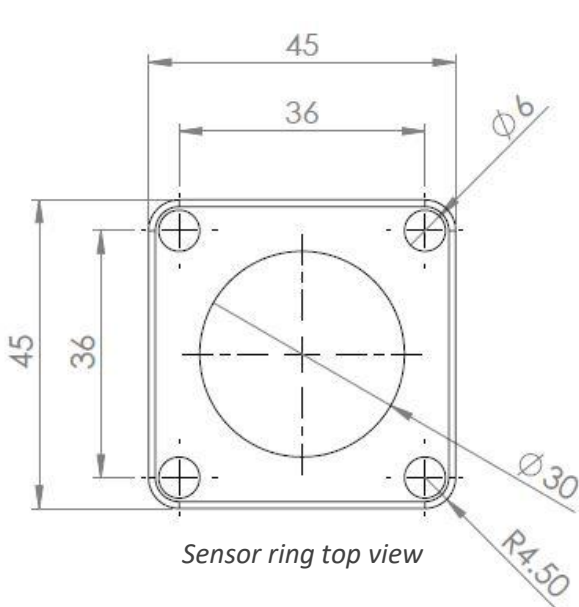
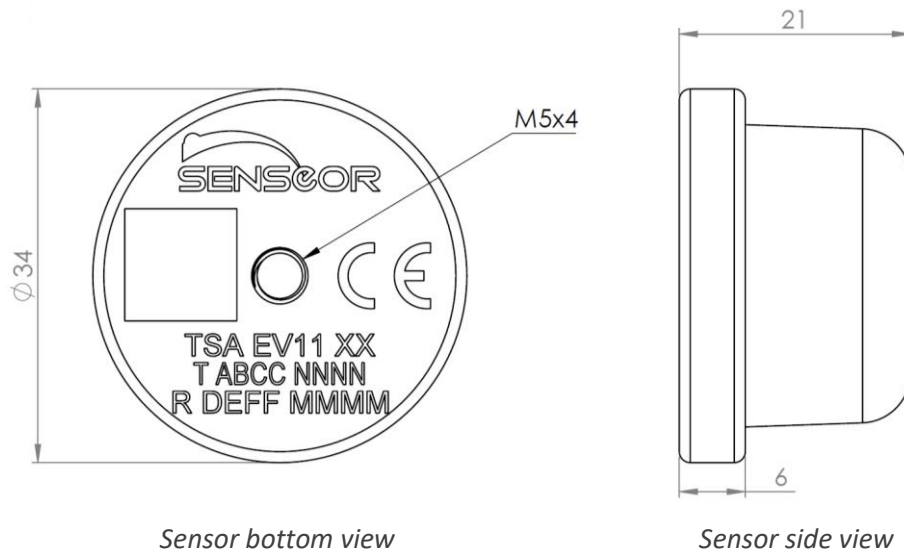


Top view



Bottom view

PHYSICAL DIMENSIONS



SENSeOR reserves the right to make technical changes or to modify the content of this document without prior notice.
SENSeOR is not responsible for errors or for possible lack of information in this document.